



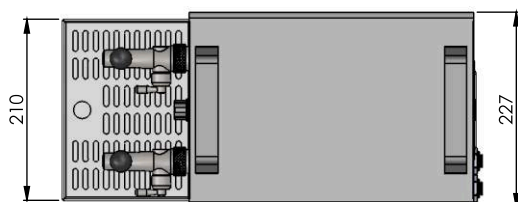
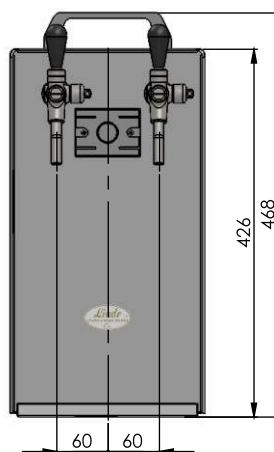
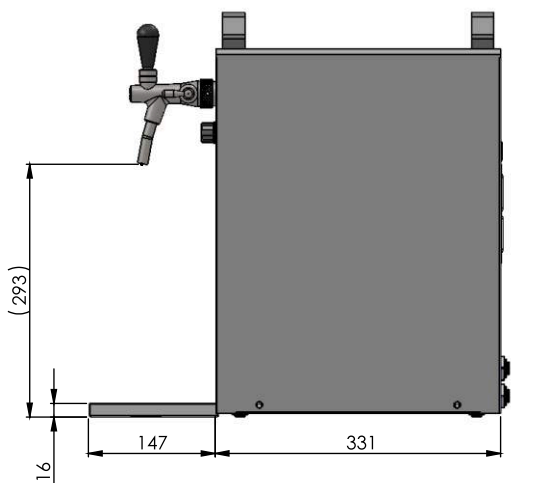
- The **KONTAKT 40/ K** has a high performance, small dimensions and regulated air system. **It's opening new possibilities in professional and commercial use.** It also comes with an inbuilt compressor.
- This cooler has a continuous cooling capacity of 35-40l/h., Max. 50l/h.
- **The modern compressor cooling unit** uses the power input for direct transfer to chilling, which guarantees minimum energy usage.
- Excellent chilled beer will be ready in the thermo block within 5-8 minutes after the cooler has been switched on.
- **LINDR cooling technology is 45% more efficient** than its power input.
- All external construction is made from stainless steel to give a more clean and aesthetic look.

- The materials used meet the highest requirements for hygiene standards and **guarantee a long working** life of this cooler.
- This machine comes with a stainless steel drip tray and an adjustable temperature control with **7 different settings.**
- Two grab handles on top of the machine **enables the machine to be carried and moved with ease.**
- KONTAKT coolers have been recognised by experts findings as the beer coolers with the best ratio of **price/ performance/ quality/ dimension.**



### INBUILT AIR COMPRESSOR

2.6 bar



- 50 l/h
- HP 1/5
- YES
- 29.3 Kg
- 2
- Refrigerant R134a
- 2x 14.0 m