



# GAS BLENDER

## TRIPLE BLEND: ALES, LAGERS AND STOUTS

- On-site accurate blending of CO<sub>2</sub> and Nitrogen gases
- Save money by not purchasing expensive premixed gas cylinders
- Save labor by not changing gas cylinders
- Increase profits by serving a consistent perfect pint



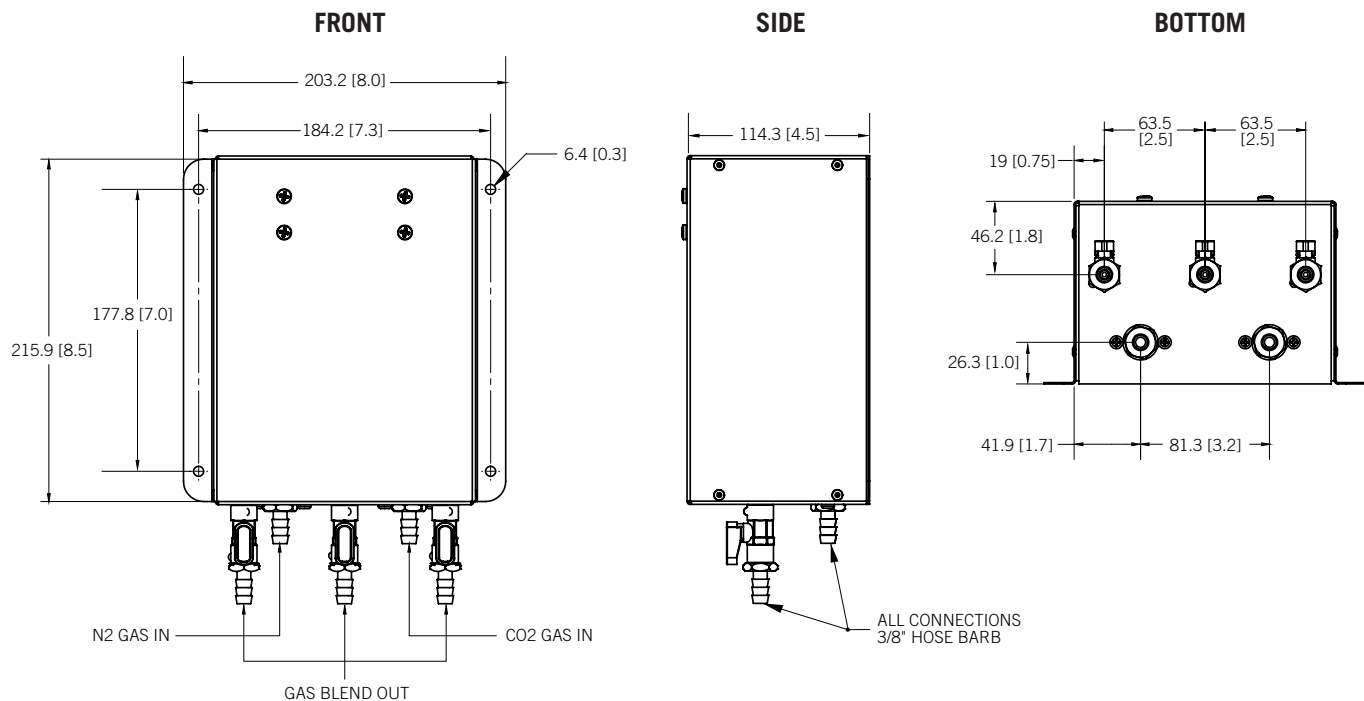
**MM300**

Part No.	Gas Blends	Shipping Weight
MM300	Ales / Lagers: 75% CO <sub>2</sub> / 25% N <sub>2</sub>	4 kg
	Ales / Lagers: 60% CO <sub>2</sub> / 40% N <sub>2</sub>	8 lbs
	Stouts: 25% CO <sub>2</sub> /75% N <sub>2</sub>	

## Performance

<b>Inlet Barb:</b>	9.52mm (3/8")
<b>Outlet Barb:</b>	9.52mm (3/8")
<b>Outlet Pressure:</b>	Factory preset at 3.45 bar (50psi), non-adjustable
<b>Accuracy and Flow Range:</b>	2% of full scale or better with the flow range of .4 to 40 liters per minute (.85 to 85 cubic feet per hour.)

## Dimensions



Toll-Free: 1-866-327-4159  
[www.micromatic.com](http://www.micromatic.com)

### West

19791 Bahama St.  
 Northridge, CA 91324  
 Tel. (818) 701-9765  
 Fax. (818) 701-9844

### Central

10726 North Second St.  
 Machesney Park, IL 61115  
 Tel. (815) 968-7557  
 Fax. (815) 968-0363

### Southeast

15111 Dispense Ln.  
 Brooksville, FL 34604  
 Tel. (352) 799-6331  
 Fax. (352) 796-2429

### Northeast

4601 Saucon Creek Rd.  
 Center Valley, PA 18034  
 Tel. (610) 625-4464  
 Fax. (610) 625-4466