

# MODEL SOUDEK 50

The luxurious models **SOUDEK 50** beer cooler is designed for professional cooling and dispensing of excellent chilled beer in professional, commercial and home use.

Its decor and aesthetic design of high quality processed oak wood with stainless steel, makes this cooler the perfect accessory for a modern restaurant or bar.

These cooler has a continuous cooling performance of 35-40l/h., max.50 l/ h.

The cooler **SOUDEK 50/K profi** is equipped with a completely unique high quality system with a quiet inbuilt compressor comprising a damper and molecule suction air filter. The pressure is adjustable by the screw next to the manometer and in the range between 1-3,4 bars.

The luxurious **SOUDEK 50** with 3 taps, have one tap is designed for the uncooled beverage, for example red wine.

The modern compressor cooling unit uses the power input for direct transfer to chilling, which guarantees minimum energy usage.

**LINDR cooling technology is 45% more efficient than its power input.**

The best chilled beer will be ready in the thermo block within 5-10 minutes after the cooler has been switched on.

The complete external construction is made from oak wood and stainless steel to give a more clean and aesthetic look.

The materials used meet the highest requirements for hygiene standards and guarantee a long working life of this cooler.

This machine also includes a stainless steel drip tray and an adjustable temperature control with 7 different settings.

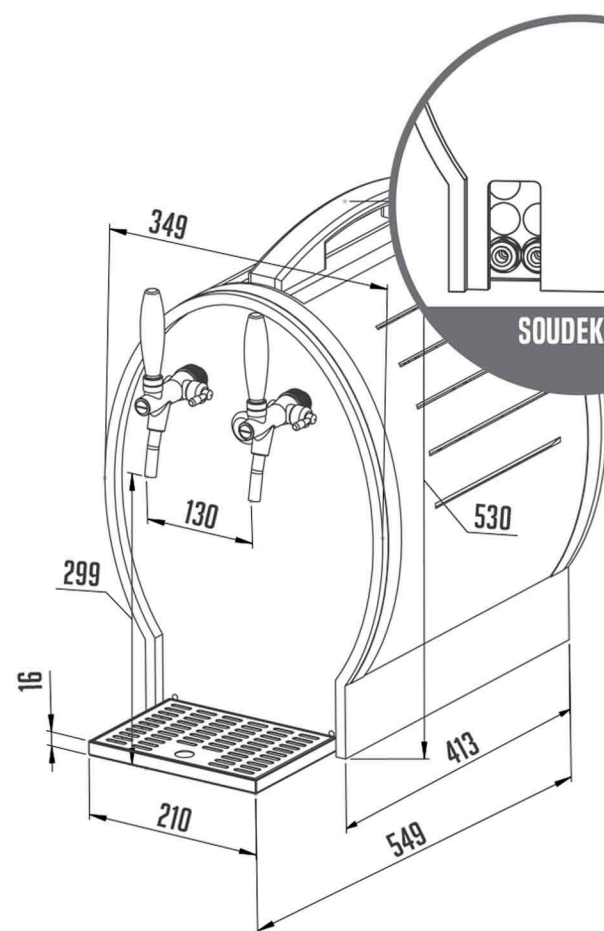
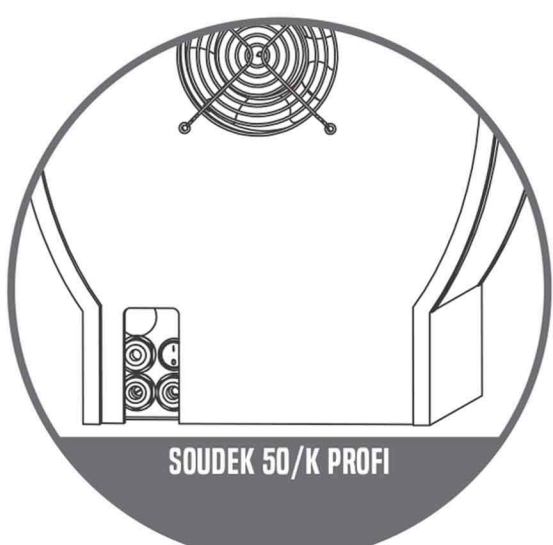
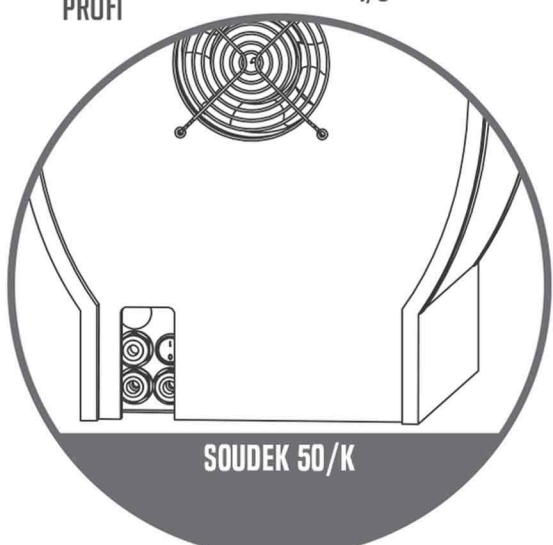


PRODUCT CATALOGUE 2019

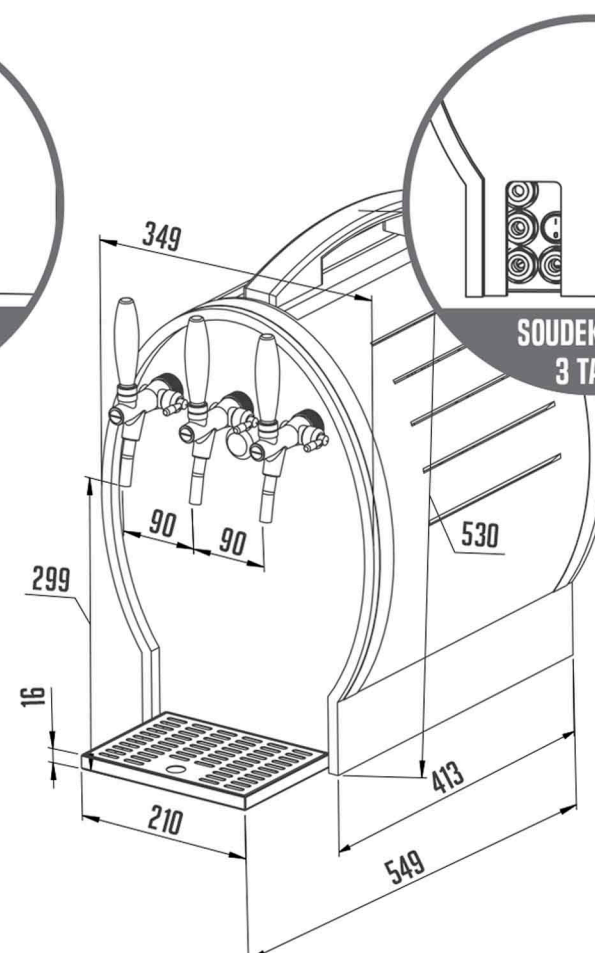


CZECH UP YOUR BEER  
COOLING AND DISPENSING SYSTEMS

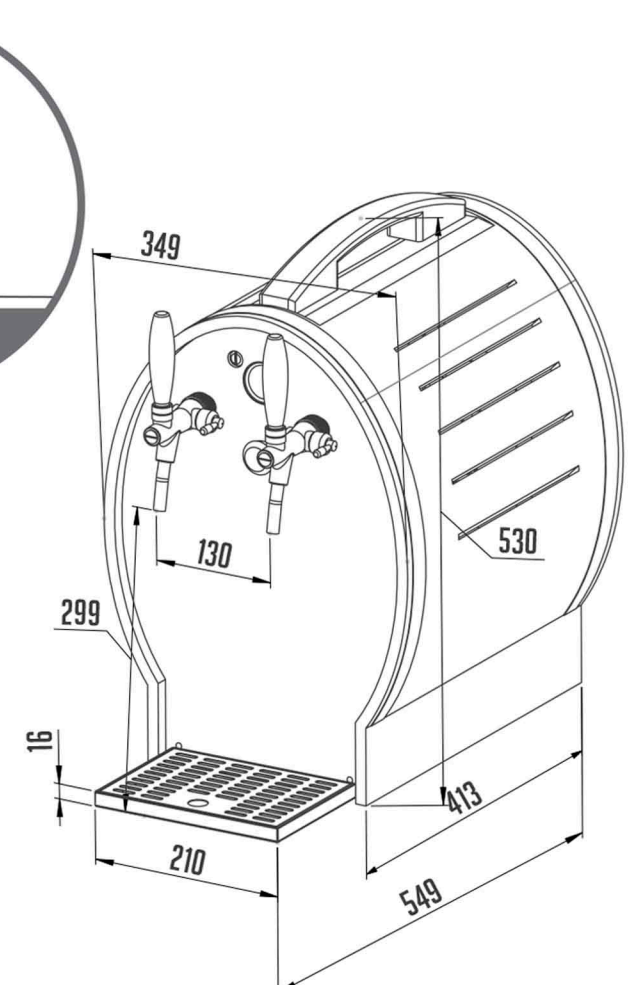
PRODUCT MODEL	COOLING POWER OF THE COMPRESSOR (HP)	COOLING POWER OF THE COMPRESSOR (W)	MAXIMUM COOLING CAPACITY TO 0°C / TK 45°C (L/ HOUR)	CONTINUOUS COOLING PERFORMANCE (L/ HOUR)	THERMAL GRADIENT ΔT (°C)	NUMBER OF TAPS (PCS)	NUMBER/ LENGTH OF COOLING COILS (M)	VOLTAGE	POWER (W)	AMPERAGE (A)	NET WEIGHT (KG)	TYPE OF REFRIGERANT R134A/ R290
SOUDEK 50/K 3 TAPS 1 UNCOOLED	1/5	540	50	40	10	2+1	2/ 16,5	220-240V 50HZ~1	506	2,20	34,0	●
SOUDEK 50	1/5	540	50	40	10	2	2/ 16,5	220-240V 50HZ~1	414	1,80	31,0	●
SOUDEK 50/K	1/5	540	50	40	10	2	2/ 16,5	220-240V 50HZ~1	506	2,20	33,0	●
SOUDEK 50/K PROFI	1/5	540	50	40	10	2	2/ 16,5	220-240V 50HZ~1	506	2,20	33,0	●



SOUDEK 50, 50/K



SOUDEK 50/K 3 TAPS



SOUDEK 50/K PROFI