

MODEL SOUDEK 30/K

The luxurious **SOUDEK 30/K** beer cooler is designed for professional cooling and dispensing of excellent chilled beer in professional, commercial and home use.

Its decor and aesthetic design of high quality processed oak wood with stainless steel, makes this cooler the perfect accessory for a modern restaurant or bar.

This cooler is equipped with a completely unique high quality system with a quiet inbuilt compressor comprising a damper and molecule suction air filter.

This cooler has a continuous cooling performance of 25-30l/h., max.35l/ h.

The modern compressor cooling unit uses the power input for direct transfer to chilling, which guarantees minimum energy usage.

The best chilled beer will be ready in the thermo block within 5-10 minutes after the cooler has been switched on.

LINDR cooling technology is 45% more efficient than its power input.

The complete external construction is made from oak wood and stainless steel to give a more clean and aesthetic look.

The materials used meet the highest requirements for hygiene standards and guarantee a long working life of this cooler.

This machine also includes a stainless steel drip tray and an adjustable temperature control with 7 different settings.

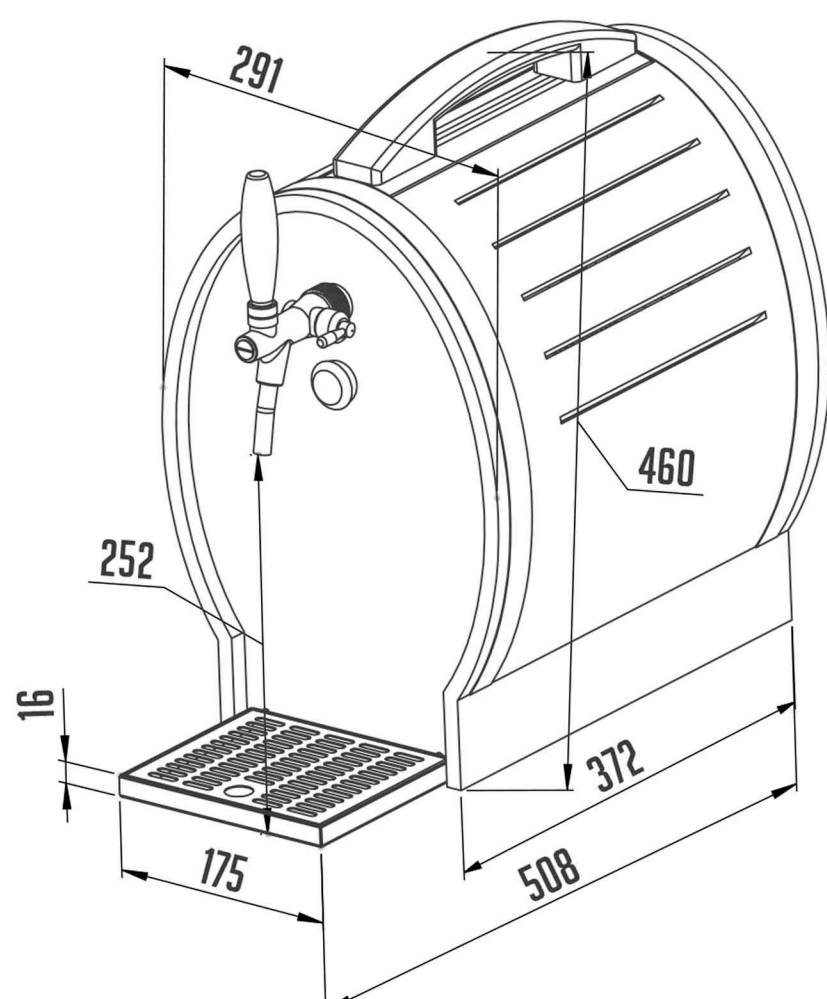
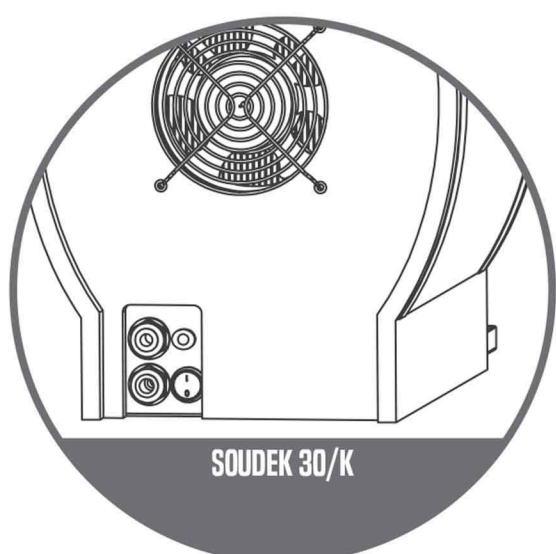


PRODUCT CATALOGUE 2019



CZECH UP YOUR BEER
COOLING AND DISPENSING SYSTEMS

PRODUCT MODEL	COOLING POWER OF THE COMPRESSOR (HP)	COOLING POWER OF THE COMPRESSOR (W)	MAXIMUM COOLING CAPACITY TO 0°C / TK 45°C (L/ HOUR)	CONTINUOUS COOLING PERFORMANCE (L/ HOUR)	THERMAL GRADIENT ΔT (°C)	NUMBER OF TAPS (PCS)	NUMBER/ LENGTH OF COOLING COILS (M)	VOLTAGE	POWER (W)	AMPERAGE (A)	NET WEIGHT (KG)	TYPE OF REFRIGERANT R134A/ R290
SOUDEK 30/K	1/8	280	35	30	10	1	1/ 15,5	220-240V 50HZ~1	345	1,50	21,5	●



SOUDEK 30/K