

# MODEL CWP MOBIL GREEN LINE

L  
NEW

The **LINDR CWP GREEN LINE** mobil Water Cooler stands out from conventional water coolers not only because of its design and processing quality, but because of the completely innovative arrangement of the cooling unit using the maximum possible power. Construction of the CWP GREEN LINE mobile is a complete innovation in this category of beverage coolers.

The **GREEN LINE** cooler series is not only environmentally friendly thanks to the use of ecological refrigerant **R-290**. We have introduced an energy saving system in the production, the cooler is made of fully recyclable materials and without any polyurethane insulation.

**20% HIGHER COOLING POWER**  
**20% LOWER ELECTRIC CONSUMPTION**

The **CWP 200 mobil GREEN LINE** has a continuous cooling performance of 170-190 l/h., max. 200 l/h., **CWP 300 mobil, 300/K PROFI mobil GREEN LINE** they have a continuous cooling performance of 250-270 l/h., max. 300 l/h.

The cooler **CWP 300/K profi mobile GREEN LINE** is equipped with a completely unique high quality system with a quiet inbuilt air compressor and molecule suction air filter. Pressure is adjustable by the screw next to the manometer in the range between 1-3,4 bars. This machine also includes a stainless steel drip tray and an adjustable temperature control with 7 different settings.

The modern compressor cooling unit uses the power input for direct transfer to chilling, which guarantees minimum energy usage.

High-quality and evenly cooled beverage runs without any temperature shock in a sufficiently long stainless steel coil. High-quality chilled beverages will be ready within 10-15 minutes after the cooler has been switched on and its temperature can be controlled instantly and continuously by using the temperature controller.

**LINDR cooling technology is 45% more efficient than its power input.**

The CWP mobile GREEN LINE is equipped with an accompanying submersible pump to secure perfect cooling of the beverage right up to the tap. Modern arrangement of the cooling technology guarantees simple operation and reduces the time demanded for maintenance and servicing and operating cost.



PRODUCT CATALOGUE 2019

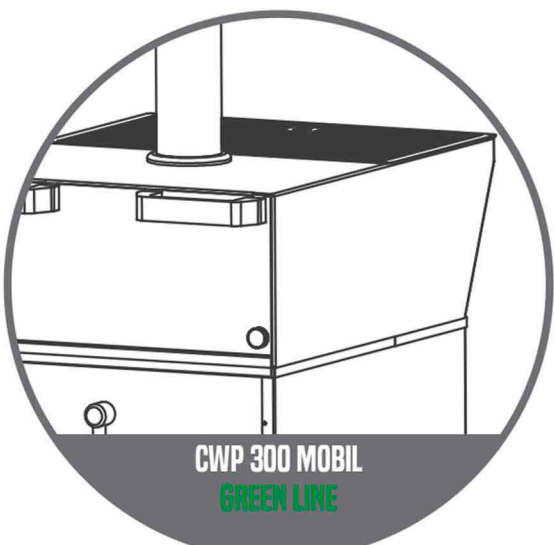


CZECH UP YOUR BEER  
COOLING AND DISPENSING SYSTEMS

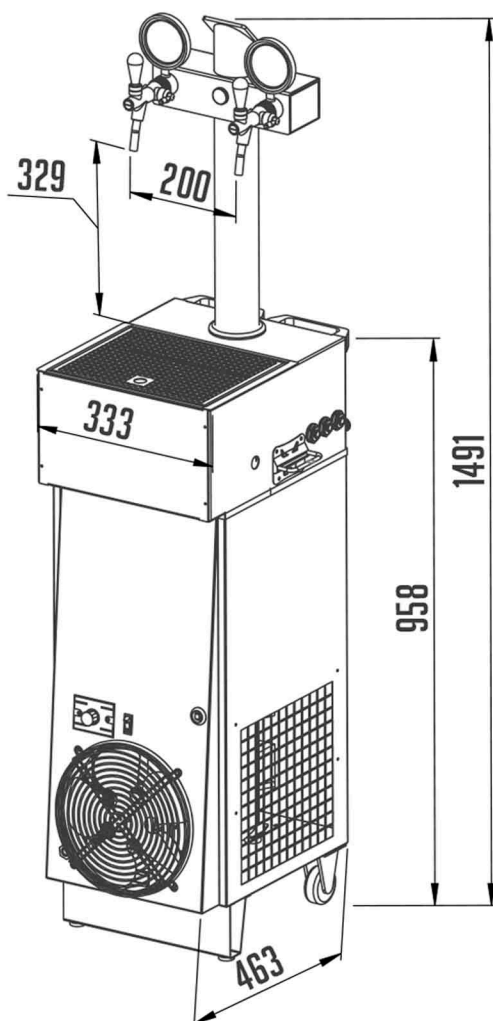
PRODUCT MODEL	COOLING POWER OF THE COMPRESSOR (HP)	COOLING POWER OF THE COMPRESSOR (W)	MAXIMUM COOLING CAPACITY TO 0°C / TK 45°C (L/HOUR)	CONTINUOUS COOLING PERFORMANCE	THERMAL GRADIENT ΔT (°C)	DISPLACEMENT OF RECIRCULATION PUMP (M)	NUMBER/LENGTH OF COOLING COILS (M)	VOLTAGE	POWER (W)	AMPERAGE (A)	NET WEIGHT (KG)	TYPE OF REFRIGERANT R134A/ R290
CWP 200 MOBIL 2 TAPS GREEN LINE	3/4	1550	140	120	10	6	2/20	220-240V 50HZ-1	1035	4,50	51,0	●
CWP 300 MOBIL 2 TAPS GREEN LINE	1	2300	200	180	10	6	2/40	220-240V 50HZ-1	1081	4,70	66,0	●
CWP 300/K PROFI MOBIL 2 TAPS GREEN LINE	1	2300	200	180	10	6	2/40	220-240V 50HZ-1	1311	5,70	71,0	●



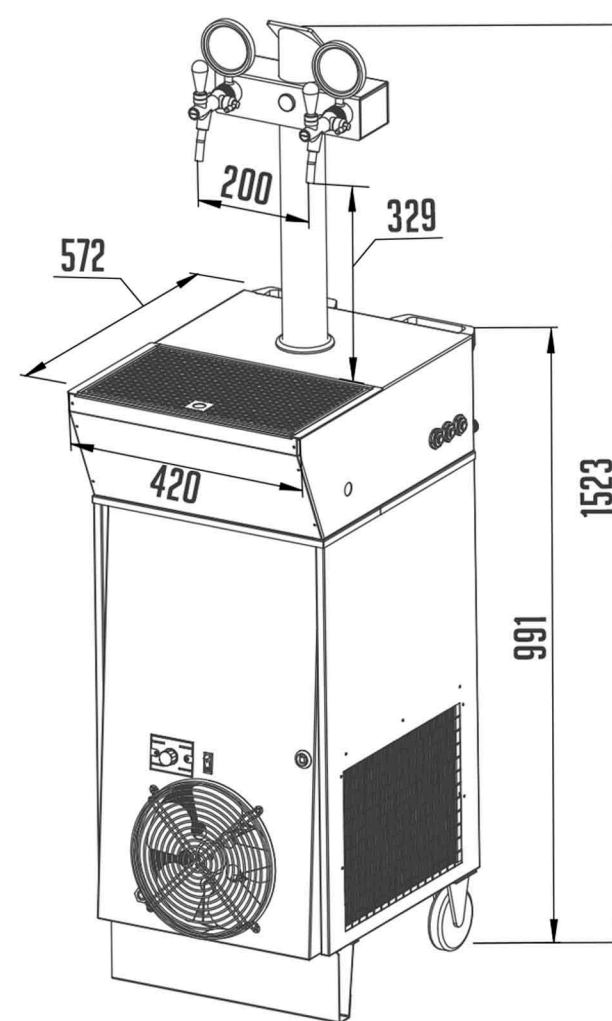
CWP 200 MOBIL GREEN LINE



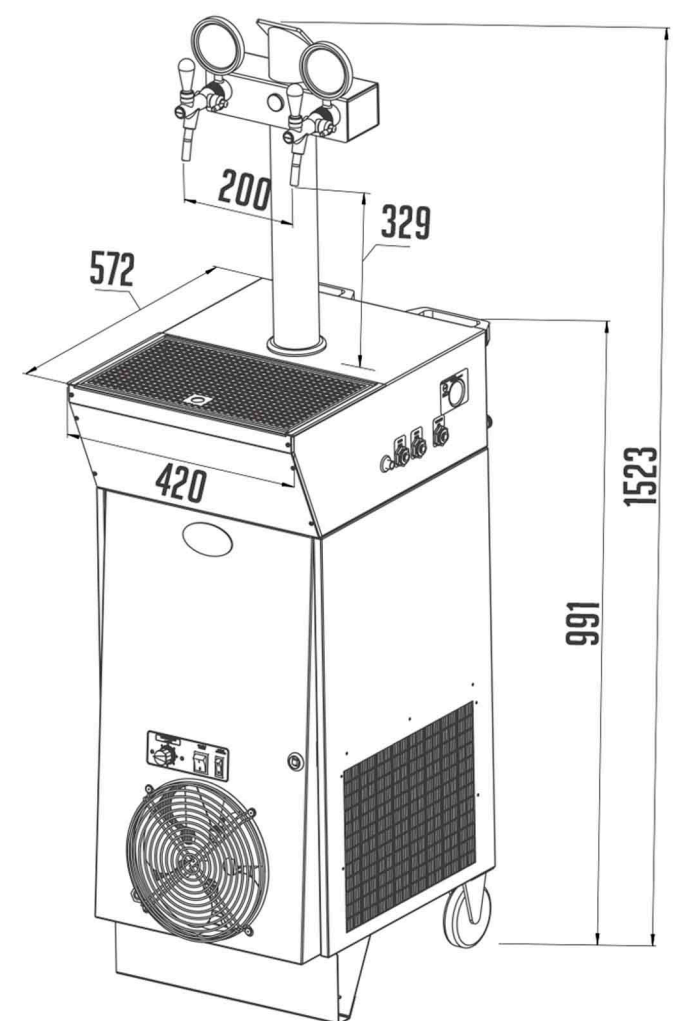
CWP 300 MOBIL GREEN LINE



CWP 200 MOBIL GREEN LINE



CWP 300 MOBIL GREEN LINE



CWP 300/K MOBIL GREEN LINE

UNDERCOUNTER COOLERS - CWP

33